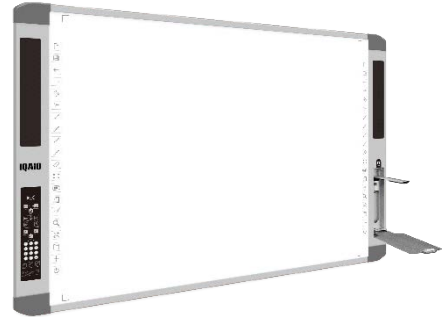


IQAiO

IQ AiO is highly integrated with center control system, computer, IWB, document camera and audio amplifier, forming a perfect multi-media classroom solution together with a projector. Moreover, this system solves complicated devices connection and saves much time for classroom devices management before teaching. The protective arc design in corners, high-strength honeycomb structure of IWB, and branded PC greatly improve its performance & future maintenance.



Product Highlights

1. Highly Integration with IWB, document camera and PC, easily switch between these signals by one key control.
2. Intelligent USB interface to connect external PC for more interaction.
3. Disable touch function and write with markers.
4. Built-in 2*25 W speakers for HI-FI sound and accompanied with optional 2.4G multifunctional wireless Mic.
5. Rich interfaces of VGA, USB, Audio, Video, Wireless MIC and AC.
6. Front detachable design for central control and document camera , easy for upgrade and maintenance.
7. Standard and safer power supply layout for handy management and to avoid electric hurts.

Specifications

Name	IQAiO	
Model	GR511-17	
Size	91"	102"
Overall Size(mm)	1981*1302 (90.8")	2308*1302 (101.8")
IWB Size(mm)	1719*1234 (83.1")	2045*1234 (93.8")
Active Projection Size(mm)	1632*1224 (80.3")	1958*1224 (90.9")
Aspect Ratio	4:3	16:10
Device Main Control	i3/i5 Dual Core Processor, 4G RAM, 500G HD with Graphics Card, Gigabite Ethernet	



External Interfaces	USB 2.0*4, External PC USB input*1, Audio 3.5 mm input*1, VGA*1, HDMI*1
Back Interfaces	Audio 3.5mm output*1, VGA output*1, HDMI output*1, RS232*1, AC 220V input*1, AC 220V output*2
Appearance	Dual-cavity symmetric structure. Aeronautic aluminum frame with no painting, magnetic- interference free and corrosion-resistant material.
Audio Frequency	2*25 W
Wireless Mouse and Keyboard	Ultra-thin fashionable wireless 2.4G suite
Power Supply	AC 220V±10% 50 HZ, Load capacity 220V 5A.
Optional	PC, document camera, Wireless MIC

Central Control Panel

RFID Card	Power on by RFID card
Indicators	Power on/off, PC on/off, one key locking, mute, signal source(mother board, front-VGA, front-HDMI),number keys and other indicators showing working status to avoid maloperation
Digital Control	Number keys to control power and other functions
Panel Keys	PC on/off, projector on/off & power-saving mode,3 kinds of AV signal switch, lock button, display black screen control, volume adjust & mute

Interactive whiteboard

Technology	IR Technology
Touch Points	6, 10, 16, 32
Input Way	By pen or any opaque object.
Physical Resolution	32768*32768
Response Speed	8 m/s
Position Accuracy	0.05 mm
Interface	USB 2.0 and above



Document Camera

Scanning Area	A4
Camera Lens	CMOS Prime Lens
AF	Yes
Frame Rate	≤30 fps
Pixels	5 Mega Pixels, 8 Mega Pixels
Resolution	2592*1944(max) , 3264*2448(max)
Light Source and Control	1W LED light source compensation
Port	USB 2.0
Power	Powered by USB Port without external power supply
System Support	Windows XP/2003/VISTA/7/8/10 without driver

Wireless MIC

Frequency Range	2.4G(Automatic Frequency-matched, support 100 classrooms using at the same time without disturbing)
Buttons	Power Switch, Laser, Volume, Mute and others
Working Range	15M(without barrier)
Continual Working Hours	8 to 12 hours(built-in lithium battery, rechargeable, energy-saving & healthy)

Dimensions

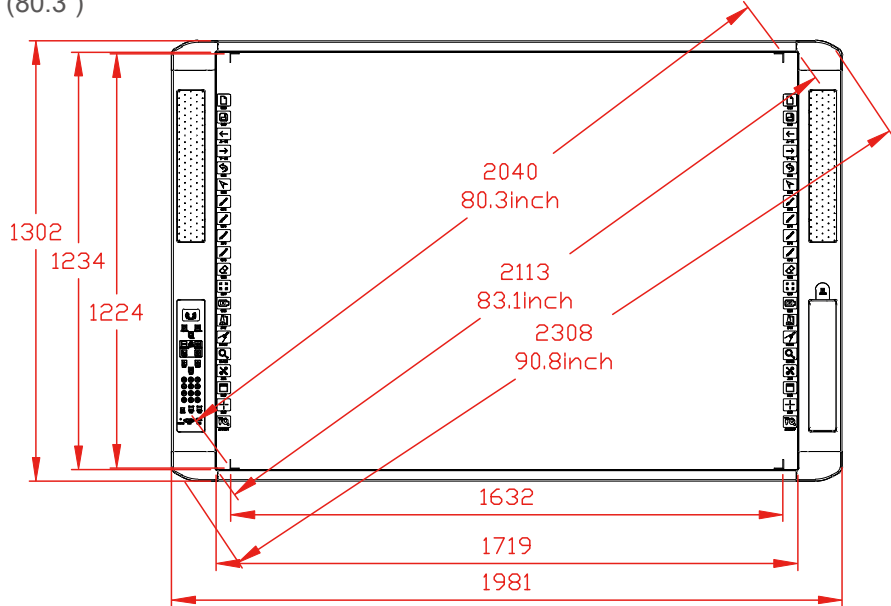
Unit: mm

IQAiO 91”

Overall Size: 1981*1302 (90.8”)

IWB Size: 1719*1234 (83.1”)

Active Projection Size: 1632*1224 (80.3”)

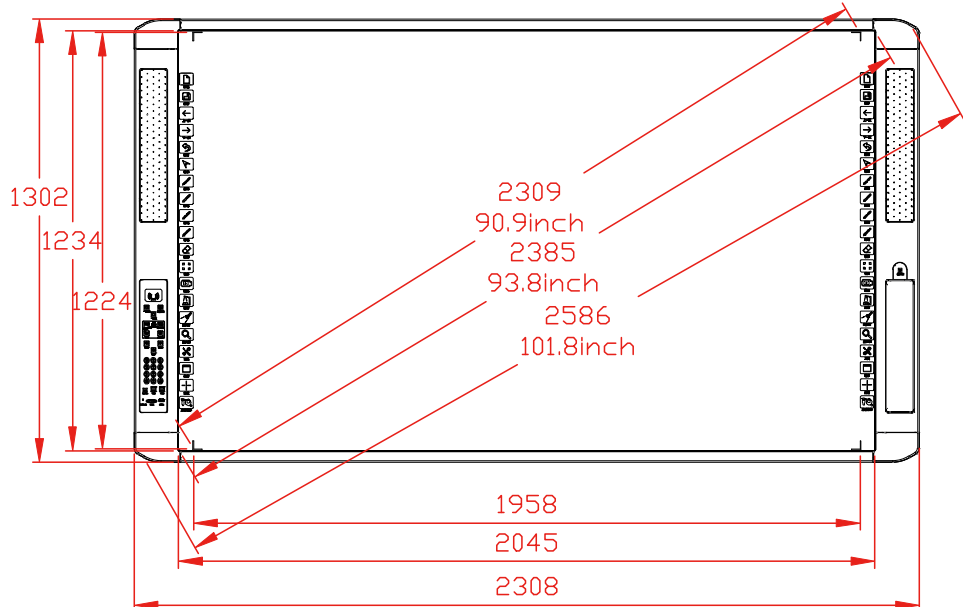


IQAiO 102”

Overall Size: 2308*1302 (101.8”)

IWB Size: 2045*1234 (93.8”)

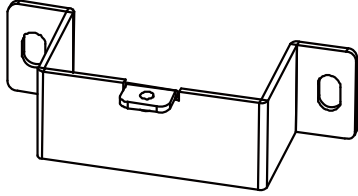
Active Projection Size: 1958*1224 (90.9”)



Installation

4.1 Install with wall brackets

1. Take out four B-type wall brackets and eight M6*50 expansion bolts.

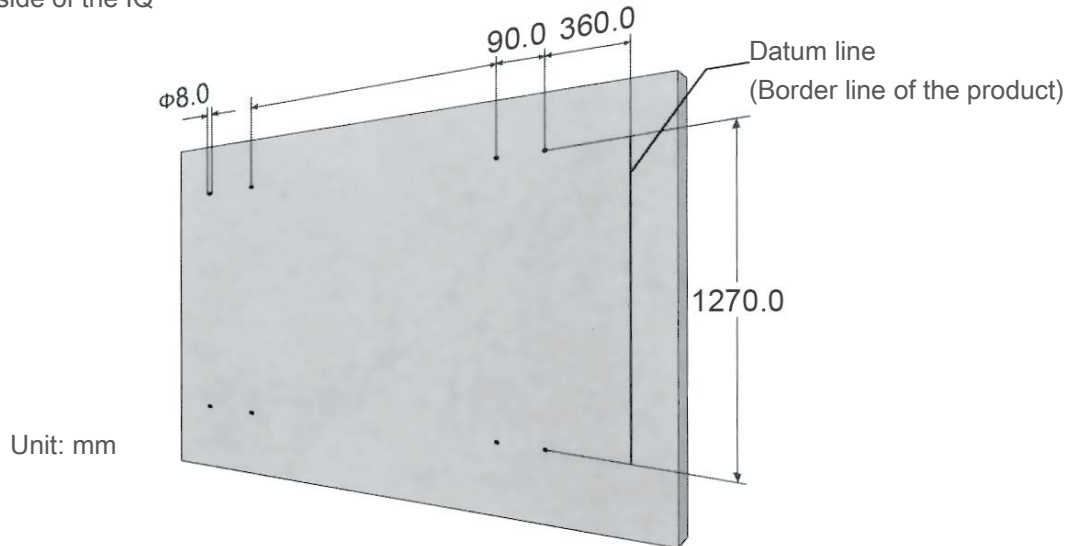


B-type wall bracket

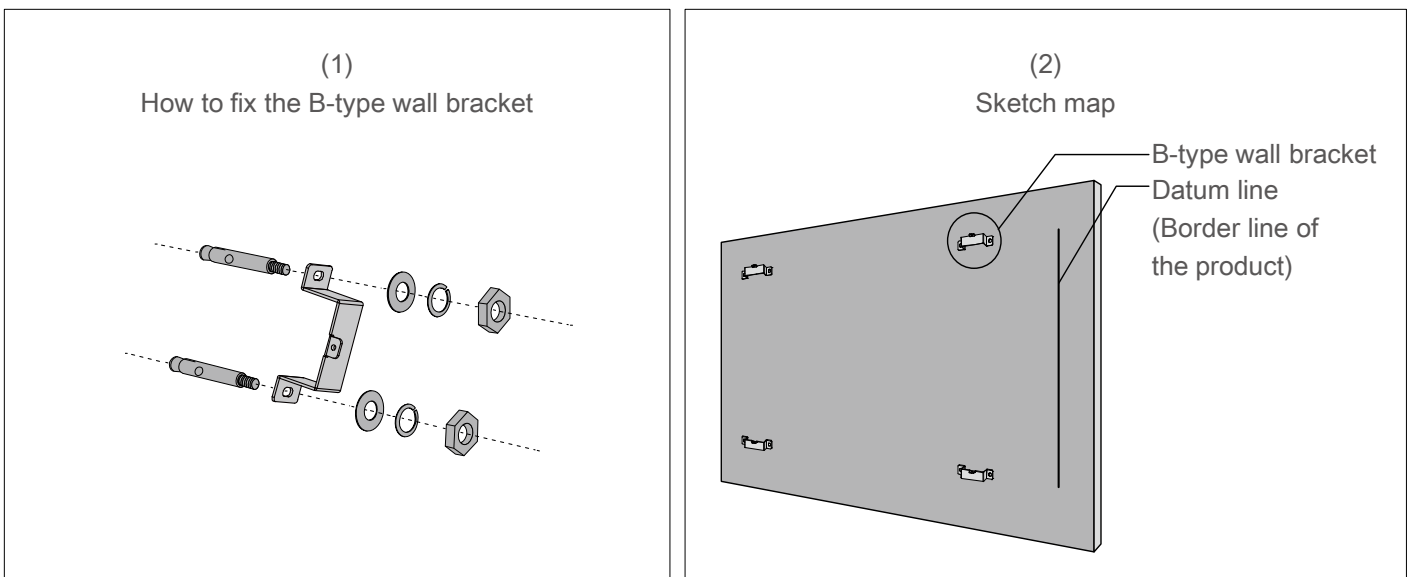


Expansion bolt

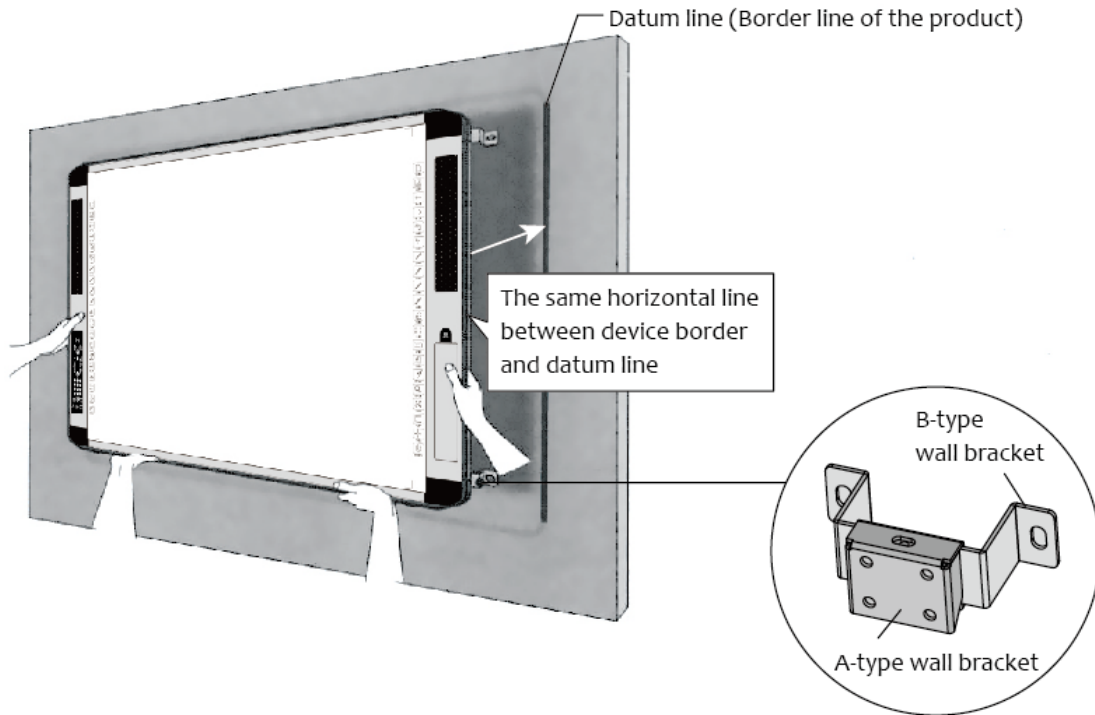
2. Drill eight holes in $\varnothing 8*50$ (diameter: 8.0mm, depth: 50.0mm) according to the distance between four A-type wall brackets at the back side of the IQ $\Delta i \cap$



3. Fix the M6*50 expansion bolts into the wall and then fix the four B-type wall brackets.



4. Lift the AiO device and make sure the border line of device is at the same horizontal line with datum line. Then hook the four A-type wall brackets and B-type ones.



5. Double check the solidity and finish the installation.

4.2 Embedded Installation

Embedded installation is applied to make combination with traditional push-pull blackboards. During installation, please ensure that the distance between blackboard and upper & lower sides of device is at least 20.0 mm. And it's forbidden to cover left & right sides of the devices.

