

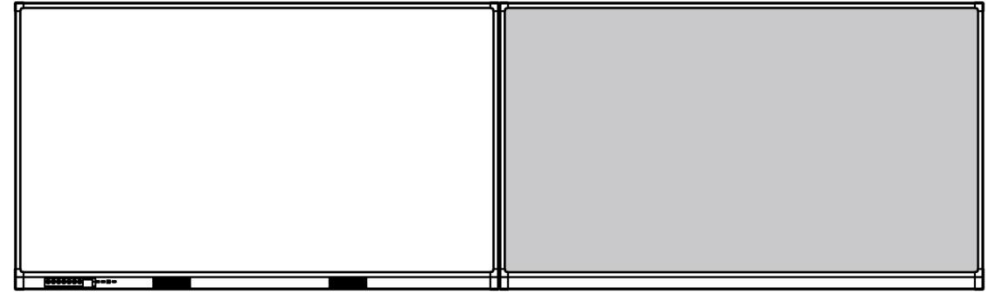
IQAio Sync Solution

—Quick Guide—

1. Packing List

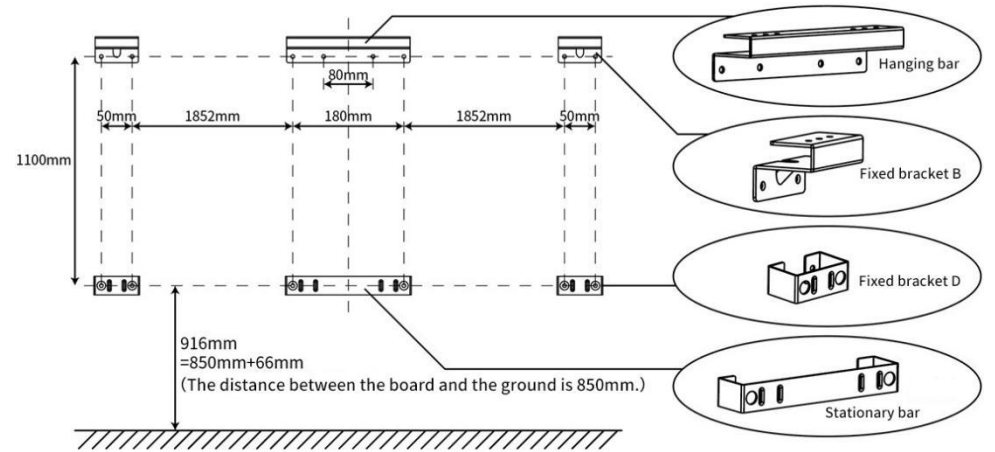
No.	Name	Specification	Quantity
1	IQAio	GR519	1
2	Green board	2031mm*1226mm	1
3	RFID card	Card	2
4	Colorless pen	10mm pen tip	2
5	Expansion bolts (self-tapping screws and expansion rubber included)	M8*70	14
6	Round head screw with gasket	M4*16	8
7	Round head screw with gasket	M6*10	4
8	Fixed bracket B	70mm*42mm*58.2mm	2
9	Fixed bracket D	74mm*30mm*44.2mm	2
10	Hanging bar	200mm*47mm*42mm	1
11	Stationary bar	204mm*30mm*44.2mm	1
12	Power adapter	19V	1
13	Power cord	1.5m (wabbler)	1
14	Printer cable (A B Type USB cable)	2.5m	2
15	DB9 female head cable	Two DB9 heads, L=3.0m	1
16	DB9 male to male switch head	Adapter converter	1
17	Quick guide	A4 size	1
18	Warranty card	150mm*75mm	1
19	Certificate	50mm*50mm	1
20	Whiteboard pen	Black	2
21	Eraser (optional)	120mm*50mm*35mm	1
22	Telescopic pointer (optional)	10mm pen tip	1
23	Wireless MIC (optional)	Charging cable and headset included	1
24	Wireless keyboard & mouse (optional)	Keyboard and mouse	1

2.Appearance

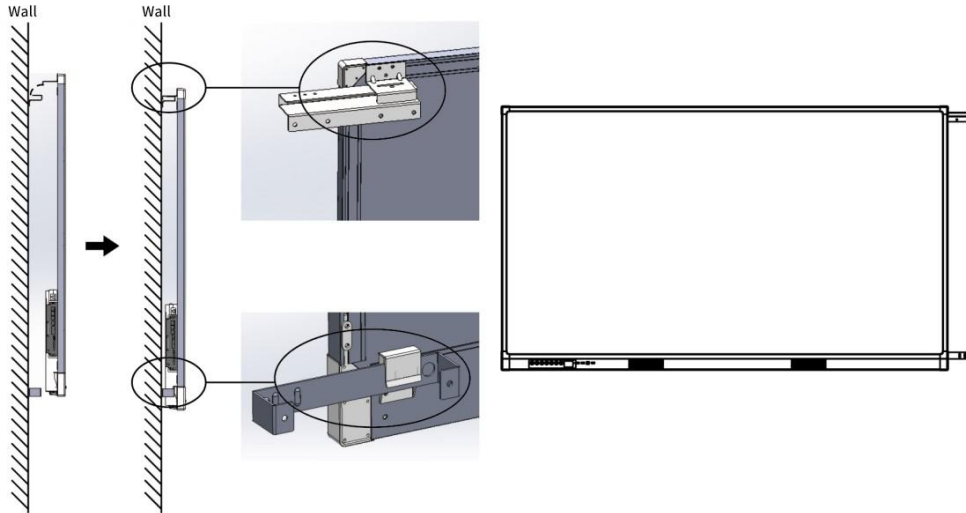


3.Installation

- 3.1 Draw the center line and the drilling horizontal line and the drilling position on the same horizontal on the installation wall. Make sure the accuracy of correlative length is $\pm 2\text{mm}$.
- 3.2 After confirming the position of installation, use $\Phi 8\text{mm}$ electric drill to make fourteen 80mm deep holes on the wall.
- 3.3 Insert the expansion rubber into the holes. Then install two fixed brackets B, two fixed brackets D, one hanging bar and one stationary bar on the wall with self-tapping screw in the accessories box.



3.4 Connect the cable of IQAio at the back. Then hang the IQAio directly on fixed bracket from top to bottom.

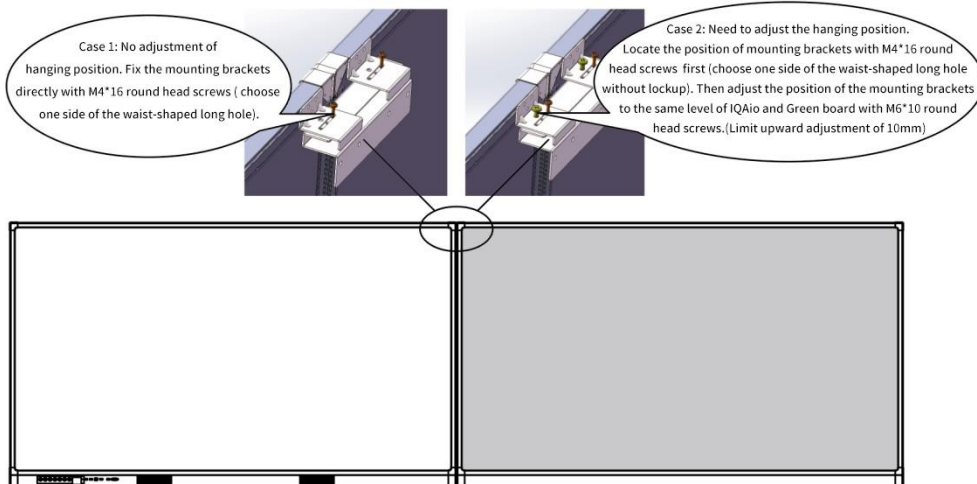


3.5 Connect the mother cable on the back of green board with the extended cable of IQAio and then hang the green board on the fixed bracket.

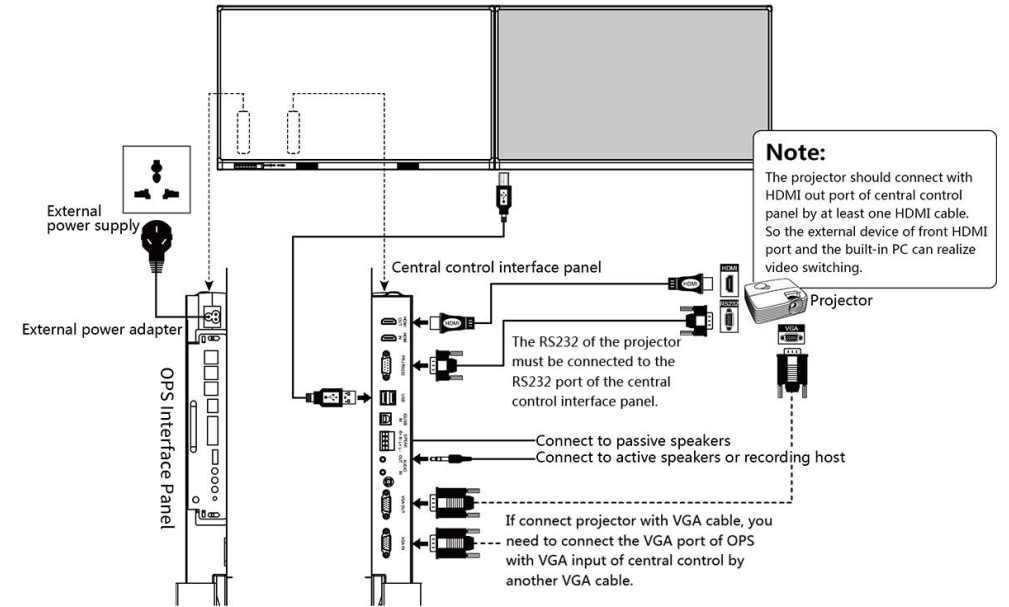
3.6 Adjust the gap between IQAio and green board and keep in the same horizontal.

3.7 After confirming the proper position, fix four fixed brackets with four M4*16 round head screws with gasket. The installation is complete.

3.8 If want to adjust the position again, put four M4*16 round head screws into the four mounting brackets (without fixed). Then use M6*10 round head screw to adjust the position and fix the four M4*16 round head screws later. The installation is complete.



4. Connection



Returnstar Interactive Technology Group CO., LTD.
6th Bldg. High-Tech Base. Fuzhou Fujian Prov. China
0086-591-38202660
0086-591-38203003
www.IQBoard.net
IQBoard@IQBoard.net

IQ
Returnstar Technology

STOCK CODE
836453

