

IQTOUCH X Series



As an ideal solution to education and business, IQTouch X series uses capacitive touch technology, which can respond without delay and operate directly. It features 20-point touch that enables several users working on the screen at the same time. 4K crystal clear display delivers the highest image quality. The plug-n-play function provides great experience for cooperation and brainstorm.

Specifications

Name	IQTouch X Series		
Model	LE065MD	LE075MD	LE086MD
Diagonal Size	65"	75"	86"
LED Light Source	Backlight	Backlight	Backlight
Resolution	3840*2160	3840*2160	3840*2160
Brightness (typ)/(min)	450cd/m ²	450cd/m ²	400cd/m ²
Contrast Ratio(typ)/(min)	5000:1	5000:1	5000:1
Response Rate (typ)/(min)	5ms	5ms	5ms
Pixels Dot Distance(mm)	0.372*0.372	0.4298*0.4298	0.1645*0.4935
Refreshing Frequency	60Hz	60Hz	60Hz
Viewing Angle	178°(H), 178°(V)	178°(H), 178°(V)	178°(H), 178°(V)
Backlight Life Time (typ)/(min)	≥60,000 hrs	≥60,000 hrs	≥60,000 hrs
Color Saturation (x% NTSC)	85%	85%	85%
Display Area(mm)	1428.5*803.5	1650.24*928.26	1895.04*1065.96
Depth of Color	10bit	10bit	10bit
Built-in Camera	1080P Resolution, 2 MP, with Array Mic (Voice pick-up distance -within 8m)		

Power Supply			
Voltage	100-240V,50-60 Hz	100-240V,50-60 Hz	100-240V,50-60 Hz
Maximum Power	≤300W	≤400W	≤450W
Standby Power	≤0.5W	≤0.5W	≤0.5W

Physical			
Net Weight	48.5Kg±1 Kg	62Kg±1 Kg	74.5Kg±1 Kg
Gross Weight	63.5Kg±1 Kg	78Kg±1 Kg	86Kg±1 Kg
Product Size (W*D*H)	1508.5*85*945	1730.7*85*1069.0	1976.7*85*1210.8
Packing Size (W*D*H)	1640*221*1063	1859*247*1193	2119*275*1338
Housing Material	Metal	Metal	Metal
Frame Color	Black	Black	Black
VESA Hole Position	4-M8 screw hole 600*400mm	4-M8 screw hole 800*400mm	4-M8 screw hole 800*400mm



Front Interfaces	
Public-USB	2
TOUCH-USB	1
HDMI	1
Buttons	1

Output Interfaces	
SPDIF	1
HDMI	1
TOUCH-USB2.0	1
LINE OUT	1

Language	
OSD	English, Chinese

Environmental	
Working Temperature	0°C ~ 40°C
Storage Temperature	-20°C ~ 60°C
Working Humidity	20% ~ 93% RH Non-Condensing
Storage Humidity	20% ~ 93% RH Non-Condensing
Maximum Working Hours(Hours/Day)	12H / 7D

Input Interfaces	
RJ45	1
HDMI	2
VGA	1
AC	1
PC-AUDIO	1
USB2.0 (Android & Windows)	2
USB3.0 (Android)	1
RS232	1
MIC	1

OPS Interfaces (Optional)	
USB2.0	2
USB3.0	2
LAN	1
HDMI	1
LINE-OUT	1
MIC-IN	1

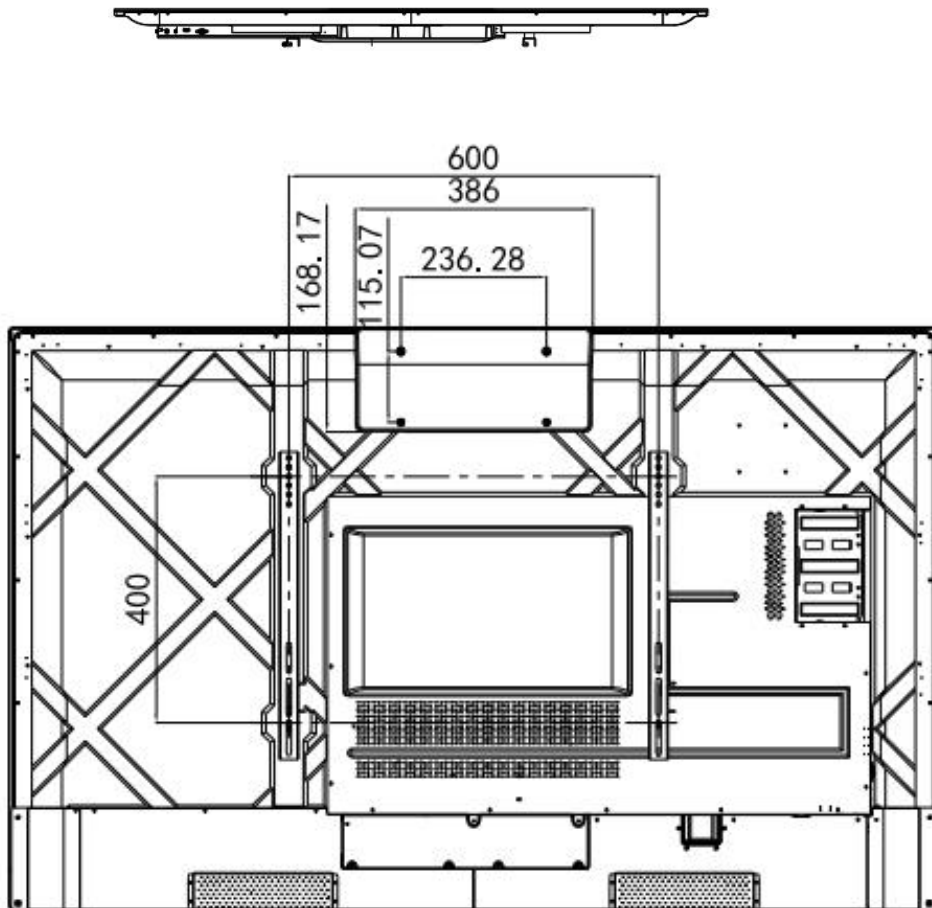
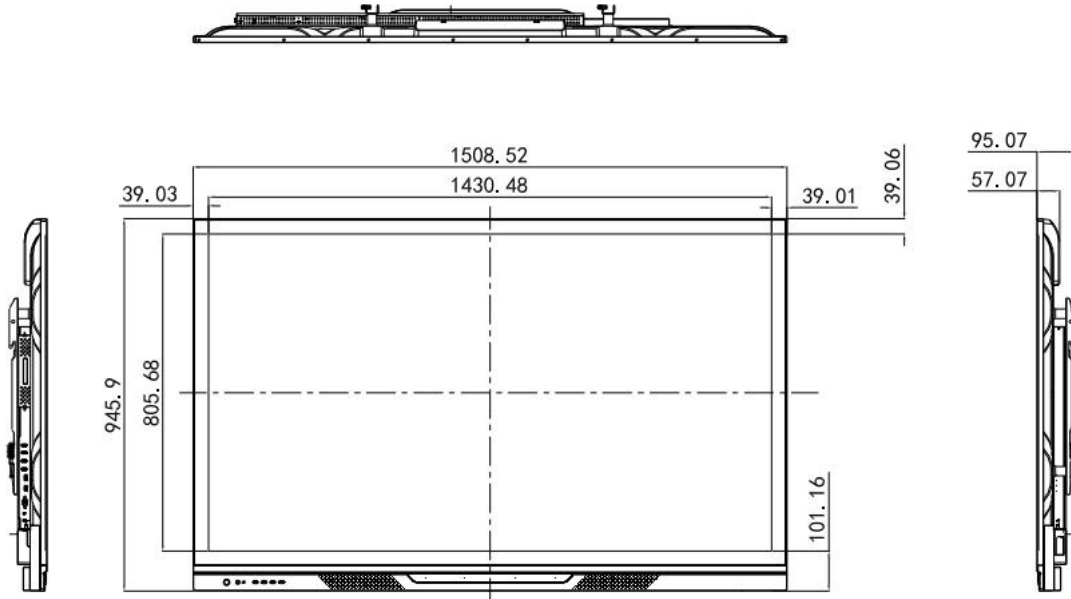
Functions	
Hotspot	YES
Built-in Speakers	13W*2
Power Input	1
Power Switch	1
Light Sensitivity	YES
Video Format	H.263,H.264,H.265, MPEG2,MPEG4,VC 1,VP6,VP8,VP9,MJ PEG,AVS,AVS+,AV S2

OPS (Optional)	
Chipset	Intel
CPU	Intel® Mobile Core TM i7/i5/i3 and Celeron® Processor
Memory	4GB/8GB/16GB
HDD	500G/1T
SSD(optional)	128G

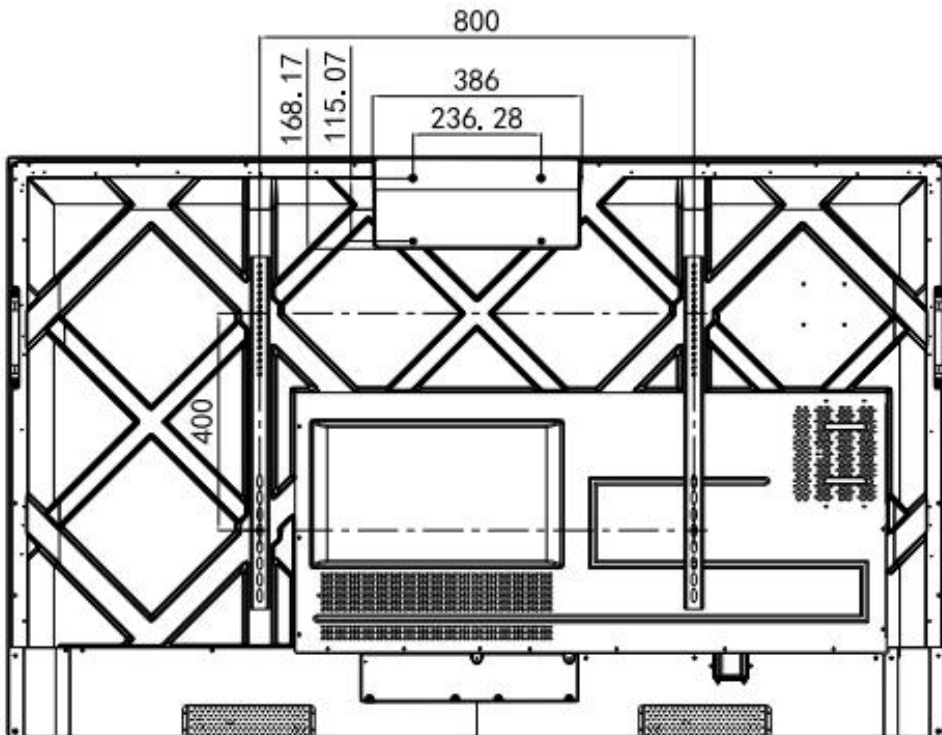
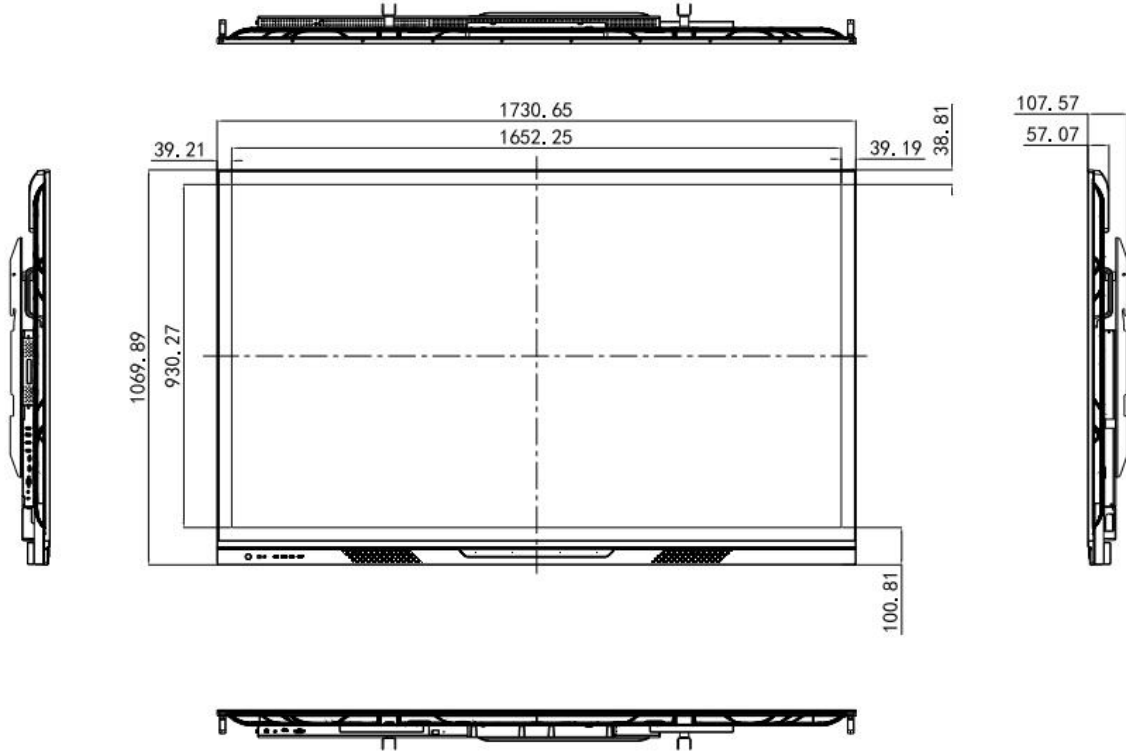
Android		
CPU	Framework	ARM Cortex A73*2+A53*2
	Dominant Frequency	1.5GHz
	Cores	Quad-Core
GPU		MaliG51
RAM		4GB
ROM		32GB
OS Version		Android 8.0

Interactivity		
Technology	Capacitive	
Glass	Anti-Glare Tempered Glass	
Glass Transmittance	>92%	
Physical Resolution	32768*32768	
Response Rate	5ms	
Positioning Accuracy	More than 90% of Touch Area:±2mm	
Input Way	Finger, Capacitive Pen	
Touch points	20	
Output Form	Coordinate	
Clicking Times	Unlimited	
Minimum Object Size (mm)	1mm	
Minimum Touch Point Detect	1mm	
Light Resistance	light resistance	
Electrical Performance	Interface Type	USB Type A
	Communication	USB2.0 Full speed
	Power Supply	USB
	Voltage	DC 5.0±5%

IQTouch 65"



IQTouch 75"



IQTouch 86"

