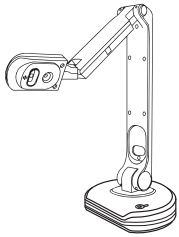


E6510

IQVIEW Interactive Document Camera

User Manual



www.IQBoard.net
master@IQBoard.net

Attentions

Before use:

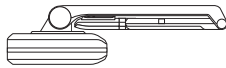
- Do not leave it under direct sunlight or by heaters. It maybe discolored or damaged.
- Do not place this product in any humid, dusty, or vibrating locations.
- Carry the product by holding the base in both hands. Never hold the product by the arm or the camera head.
- Use a soft, dry cloth for cleaning instead of any volatile solvent.
- When the device is not in use for a while, please turn off the power
- Fold the arm when the product will not be used for long time.

During use:

- Please prevent children from operating the device without supervision.
- Recommended environmental conditions: Temperature: 0°C - 40°C (32°F - 104°F).
- Humidity: 30% - 85% (No condensation).
- Use the product on a stable base, desk, or table.
- Do not turn or flip the camera head or arm to its limitation as below manual instructs.
- Do not point the camera lens directly at the sun. It may be damaged and fails to take pictures.
- Do not look directly to the LED lamps to prevent your eyes from being damaged.
- The product may not be operated properly if a USB hub is used to connect the product and a PC.
- Be careful to prevent the unit from dropping or overturning.
- Please prevent the camera head to hit the desk top or any other hard objects, or it can be damaged easily.

Packing Lists

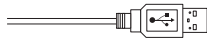
1.Document Camera



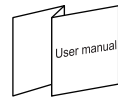
4.Warranty Card



2.USB2.0 Cable



5.User Manual



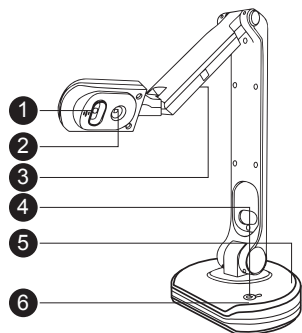
3.CD



Product Highlights

- 8.0 Mega Pixels (3256*2440).
- 10x Digital Zoom Function.
- Macro Shooting: ≤5cm.
- Image capture and processing, Audio & Video Recording.
- Auto Focus.
- Flexible Camera Head with 180° rotation.
- LEDs with softbox.
- Support IQView Micro-lecture Making Software.

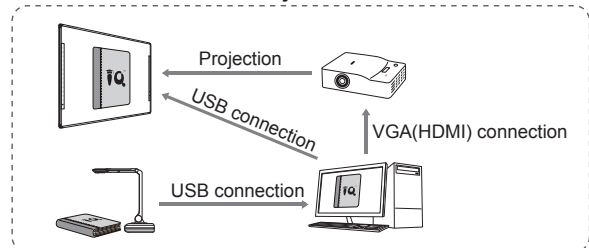
Product View



- 1-Camera Lens
- 2-LED Light
- 3-LED Lights
- 4-Power Button
- 5-USB Interface
- 6-Base

Solutions

1.Document Camera+PC+Projector+IWB



2.Document Camera+PC



Trouble Shooting

Problems	Possible causes	Solutions
The device does not turn on in normal condition.	The USB cable is not well connected with power.	Reconnect the USB cable.
	The power is not turned on.	Turn on the power.
No image display after device connection.	Device is not selected correctly.	Select the correct device.
The image is blurry.	The object is too close to the camera head.	Use Auto Focus or Manual Focus to adjust the focus.

Specifications

Model	E6510
Pickup Device	CMOS 1/4", 8MP
Resolution	2592*1994(5MP) 1280*960(SXGA) 1280*720(720p) 1920*1080(1080p) 3256*2440(8MP)
Digital Zoom	×10
Auto Focus	YES
Auto Exposure	YES
Auto White Balance	YES
Frame Rate	15fps@1920*1080
Scanning Area	Nearly A3
Rotation	Camera 180°, Arm 360°
Macro Shooting Distance	≤5cm
Image Processing	Contrast ratio, Brightness control, Sharpness, Saturation, Rotation
Light Source	11 LEDs with softbox
SNR	≥40db
Power Supply	USB2.0
Audio	Built-in MIC
Interface Ports	USB2.0
Integrated Software	IQView Micro-lecture Making Software
Operation System	Windows XP/Vista/7/8/10
Product Weight	976g
Product Size	W115mm * D75mm * H330mm